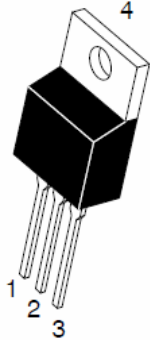
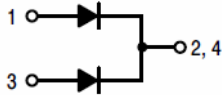


7 UHQFK 026 %DUULHU 6FKRWWN\ 5H

TO-220AB
TSR / &7



ITO-220AB
TSR / &7)



Features

- ‡ \$GYDQWUHQFK WHFKQRORJ\
- ‡ /RZRUZDURGDWDJH GURS
- ‡ /RZRZURVVHV
- ‡ +LJHILFLHQF\ RSHUDWLRO
- ‡ /HDGH)HLQLVK &R#6OLDQW

Applications

- ‡ '&' &RQYHUWHUV
- ‡ \$&'&GDSWRUV
- ‡ 6ZLWFKRZHXSSOLHV
- ‡)UHHZKH'HLRGLJ

Maximum ratings and electrical characteristics (T_J = 25°C unless otherwise noted)

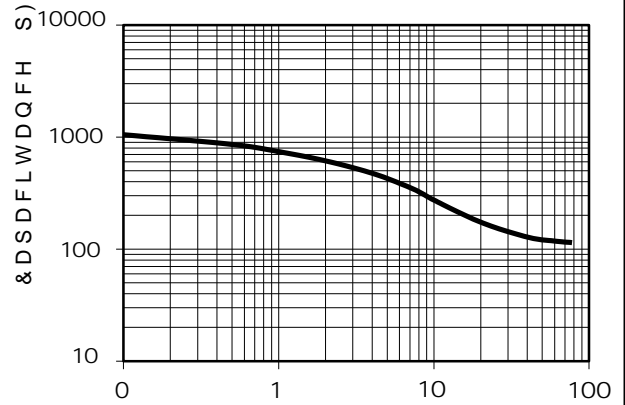
3DUDPHWHU	6\PERO	/LPLW	8QLW
0D[LPXPHSHVSHUNYHYURQHW DJH	9550		9
0D[LPXPYHURJHJZDUG UFXJWHHJW	,) \$9		\$
3HDN IRVZDURBUHQW VLKDOHQH ZDYH	,)60		\$

1RWHV

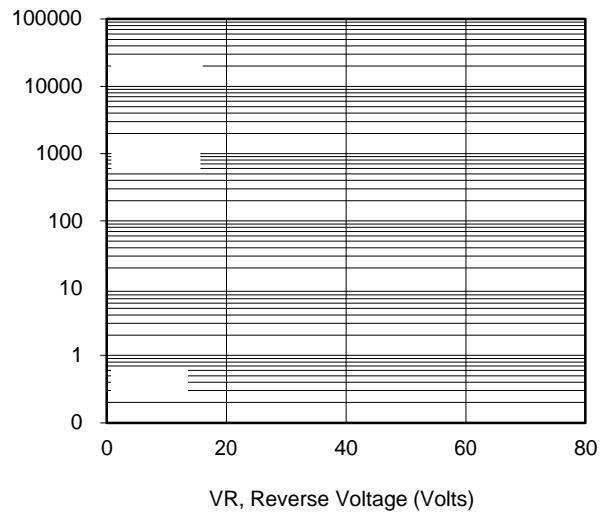
3XOVH WHVW3XOVH ZLGWK GXW\ F\FOH

3XOVH WHVW 3XOPWH ZLGWK 0

RATINGS AND CHARACTERISTICS CURVES 7\$ f & XQOHVQRWKB UZLVH



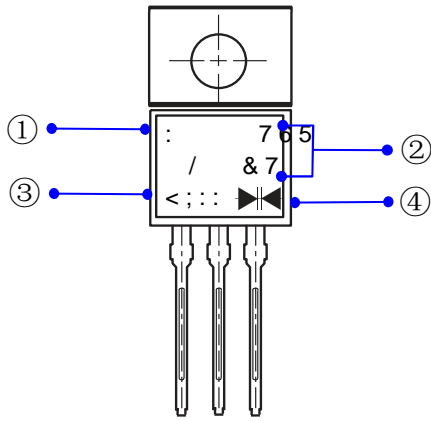
Typical Junction Capacitance



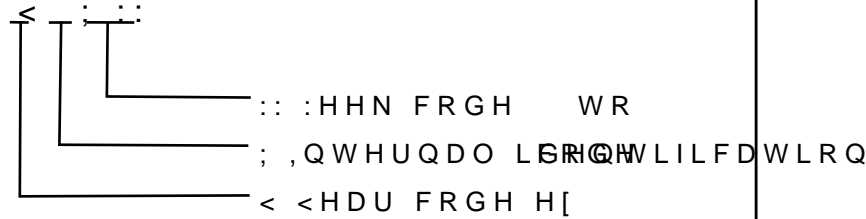
Typical Reverse Current

PACKAGE OUTLINE DIMENSIONS

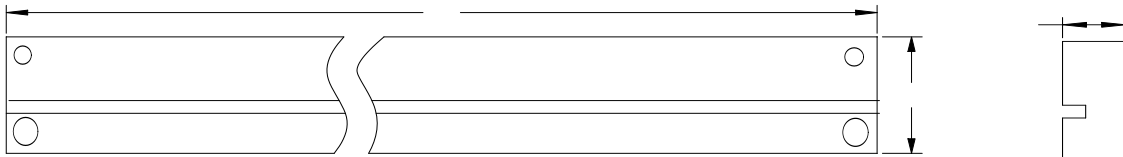




- ①
- ② 3URGXFW 765GHO&7RU 765 / &7)
- ③ 3'& LQIRUPDWLRQ

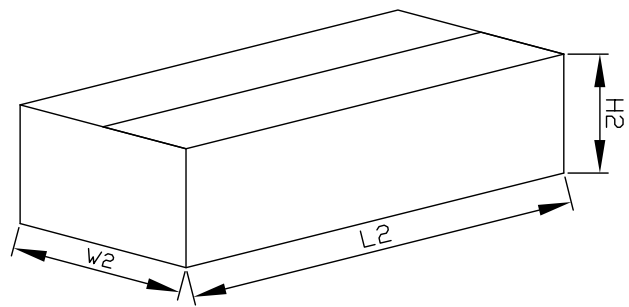
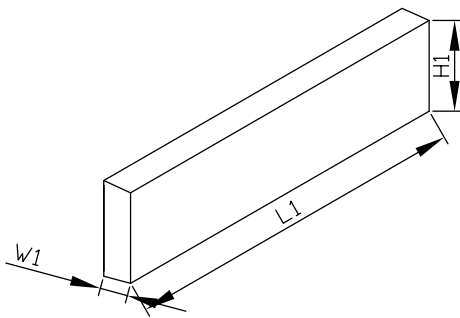


7XEH 'LPHQVLRQV



,QVLGH %R[

2XWVLGH %R[



12	81,	7XEH 'LPHQVLRQV			,QVLGH %R[2XWVLGH %R[
6L]H	PP	\$	%	&	/	:	+	/	:	+
47<	3&6	3&6 7XEH			6PDO&7RU 765GHO&7RU 765			3&6 FDUERQVLRQV		
1RWH		7ROHUDQFHP" PP			PP" PP			PP" PP		