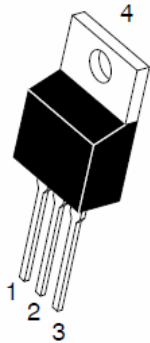
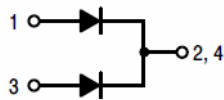


## Trench MOS Barrier Schottky Rectifier

TO-220AB  
TSR20L60CT



ITO-220AB  
TSR20L60CTF



### Features

- Advanced trench technology
- Low forward voltage drop
- Low power losses
- High efficiency operation
- Lead Free Finish, RoHS Compliant

### Applications

- DC/DC Converters
- AC/DC Adaptors
- Switching Power Supplies
- Freewheeling Diodes

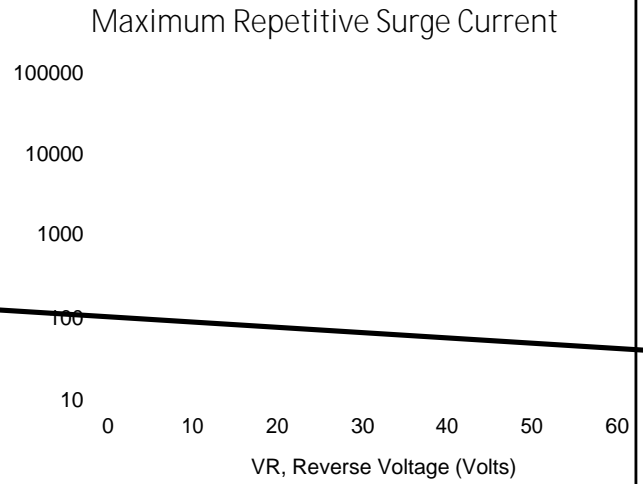
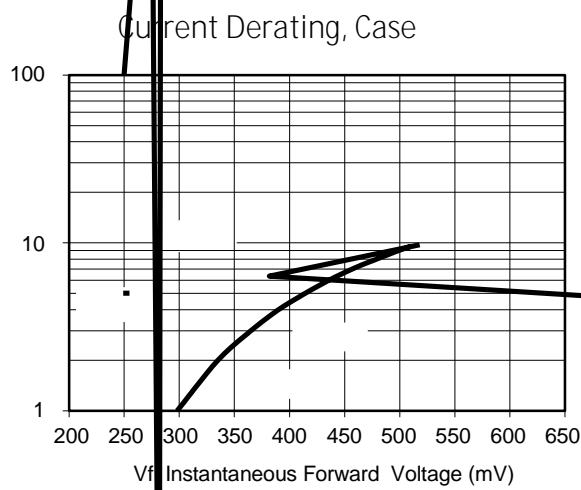
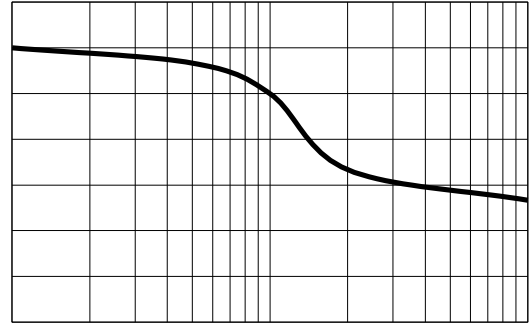
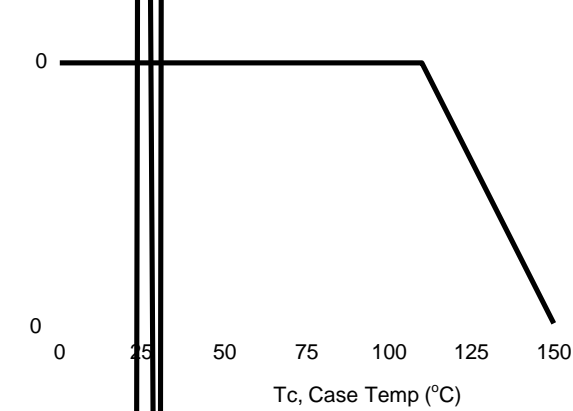
Maximum ratings and electrical characteristics (T<sub>J</sub> = 25°C unless otherwise noted)

| Parameter  |           | Symbol   | Limit      |      | Unit |
|--|-----------|----------|------------|------|------|
| Maximum repetitive peak reverse voltage  |           | VRRM     | 0          |      | V    |
| Maximum average forward rectified current  | device    | IF(AV)   | 0          |      | A    |
|  | per diode |          |            |      |      |
| Peak forward surge current 8.3 ms single half sine-wave superimposed on rated load per diode |           | IFSM     | 0          |      | A    |
| Operating junction and storage temperature range   |           | TJ, TSTG | -5 to +150 |      | °C   |
| Typical thermal resistance per leg   | TO-220AB  | 5 § - &  | 2          |      | °C/W |
|  | ITO-220AB |          | 4          |      | °C/W |
| Instantaneous forward voltage per diode  |           |          | TYP.       | MAX. | V    |
|  | IF=3A     | TJ=25°C  | 0.         | -    |      |
|  | IF=3A     | TJ=125°C | 0.         | -    |      |
|  | IF= A     | TJ=25°C  | 0.         | -    |      |
| Instantaneous reverse current per diode at rated reverse voltage                             |           |          | 20         | 0    | µA   |
|  |           |          | -          | 0    | mA   |

Notes:

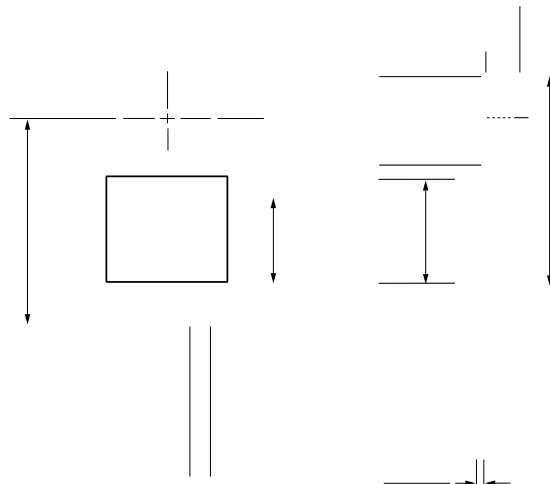
3XOVH WHV V\$XOVH ZLGWK GXW\ F\FOH  
3XOVH WHVW 3XOPWH ZLGWK 0

## RATINGS AND CHARACTERISTICS CURVES (TA = 25 °C unless otherwise noted)

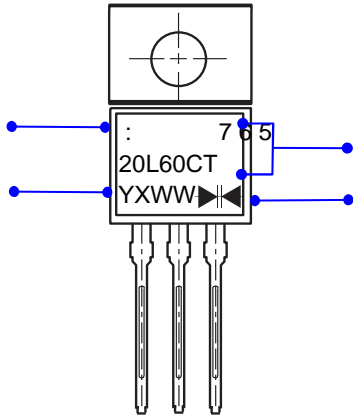


Typical Junction Capacitance

# PACKAGE OUTLINE DIMENSIONS



## Marking Information



W : Company's trademark

Product model TSR20L60CT or TSR20L60CTF

PDC information

Y X WW

:::Week code(01 to 53)

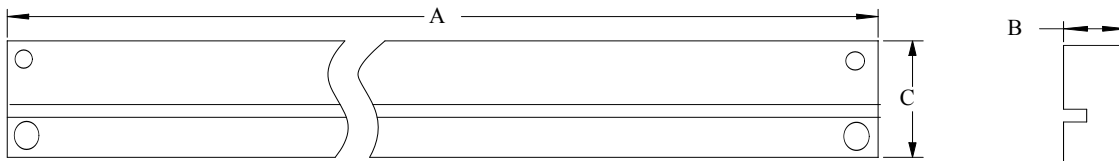
:::Internal L G H Q W L d d d F D W L R Q

Y:Year code(ex:0=2020)

Double wafer

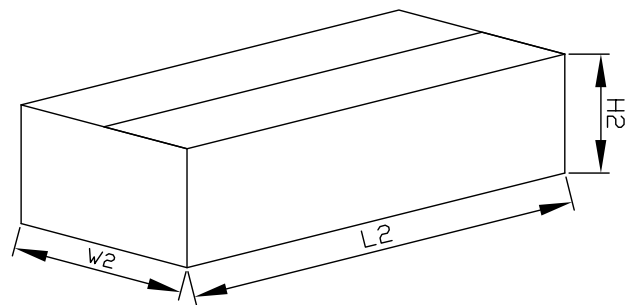
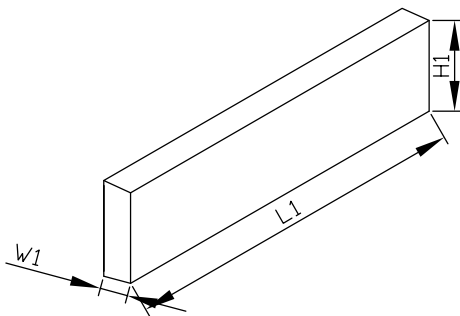
## Packaging Information

### 1.Tube Dimensions



### 2.Inside Box

### 3.Outside Box



## Packaging Information

| 1 2     | 8 1 , | Tube Dimensions           |   |    | , Q V L % R H           |    |     | 2 X W V L G H % R               |    |    |
|---------|-------|---------------------------|---|----|-------------------------|----|-----|---------------------------------|----|----|
|         |       | A                         | % | C  | /                       | :  | +   | /                               | :  | +  |
| 6 L H   | PP    | 5                         | 7 | 33 | 570                     | 46 | 150 | 59                              | 26 | 18 |
| 4 7 <   | 3 & 6 | 3 & 6 Tube                |   |    | Smallest package, 3 & 6 |    |     | 5 3 & 6 F D U E R G L W R W D O |    |    |
| 1 R W H |       | 7 R O H U D Q F H P " P P |   |    | P P " P P               |    |     | P P " P P                       |    |    |