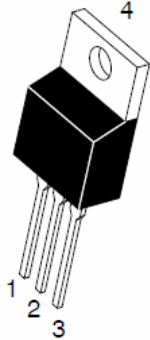


TSR40 / OCT TSR40 /1 CTF

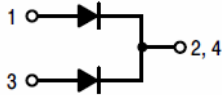
129

7 UHQFK 026 %DUULHU 6FKRWWN\ 5H

TO-220AB
TSR40L1 OCT



ITO-220AB
TSR40L1 OCTF



Features

- ‡ \$GYDQWUHQFK WHFKQRORJ\
- ‡ /RZRZDWRGWDJH GURS
- ‡ /RZRZDWRVHV
- ‡ +LJKILFLHQF\ RSHUDWLRO
- ‡ /HDGH)HLQLVK &R#6OLDQW

Applications

- ‡ '&' & RQYHUWHUV
- ‡ \$&' & \$GDSWRUV
- ‡ 6ZLWFKRZDSSOLHV
- ‡)UHHZKH'HLRQJ

Maximum ratings and electrical characteristics (T_J = 25°C unless otherwise noted)

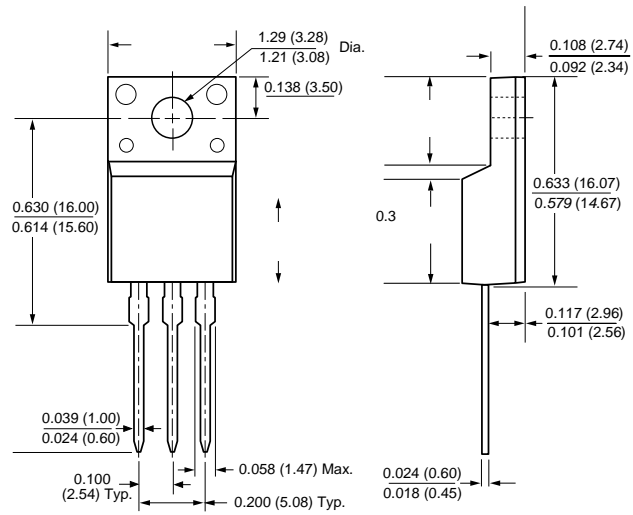
3DUDPHWHU		6\PERO	/LPLW	8QLW
0D[LXPXPHSHVSHUNYHYURQHW DJH		9550		9
0D[LXPXPHUDRJDUG UFXEWHIHWG	GHYLFH SHGLRGH	,) \$9		\$
3HDN IRVZDWRUHQW VLQDQH ZDYH VXSHULPSRVHGRSGLDVGHG		,)60		\$
2SHUDMXQDQWRUDJH WHPSHUDW		XUH 0DQJH	WR	f &
7\SLFVCHUPDO USHVULVHDQFH		72 \$% ,72 \$%		f & : f & :
,QVWDQWDQHRRQWRDUG SHGLRGH		9)	7 < 3	0\$;
	,) \$		7-	f &
	,) \$		7-	f &
	,) \$		7-	f &
,QVWDQWDQHRXU SHGLDQW UDWHYHYURQHW DJH		,5		X\$
			7-	f &

1RWHV

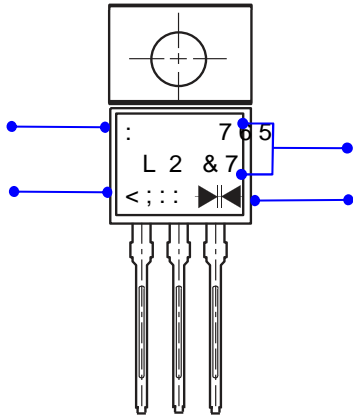
3XOVH WHV 3XOVH ZLGWK GXW\ F\FOH

3XOVH WHVW 3XOVH ZLGWK 0

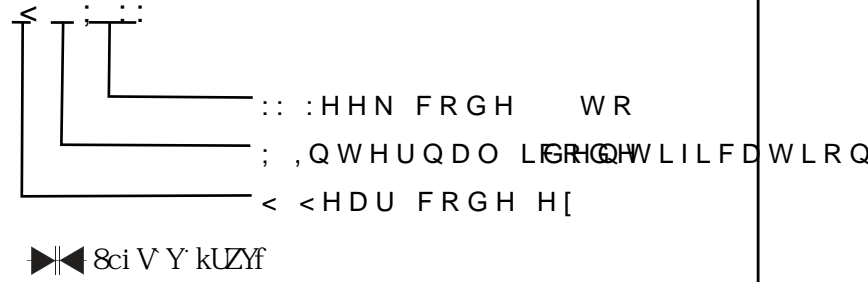
PACKAGE OUTLINE DIMENSIONS



Marking Information

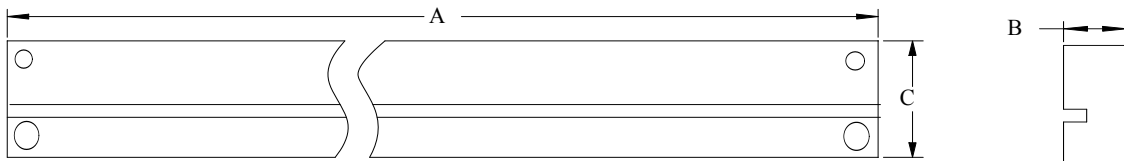


K : ' 7cadUbnng' hf UXYaUf_
3 URG XFW 765 L120V or TSR40L120CTF
3' & LQIRUPDWLRQ



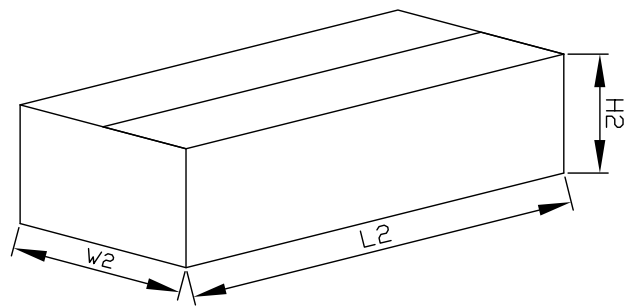
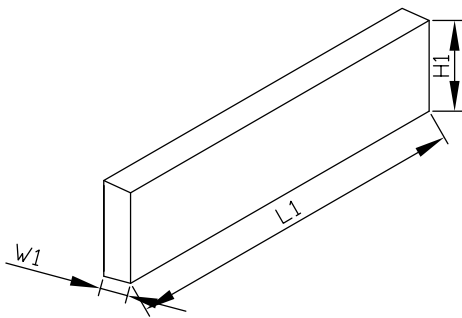
Packaging Information

7XEH 'LPHQVLRQV



,QVLGH %R[

2XWVLGH %R[



Packaging Information

12	81,	7XEH 'LPHQVLRQV			,QVLGH %R[2XWVLGH %R[
6L]H	PP	\$	%	&	/	:	+	/	:	+
47<	3&6	3&6 7XEH			6PDO SHVWDJH3&6 WXEWRWDO			3&6 FDUERGLWRWDO		
1RWH	7ROHUDQFHPP"PP			PP"PP			PP"PP			