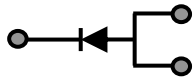


7 UHQFK 026 %DUULHU 6FKRWWN\ 5H

TO-277



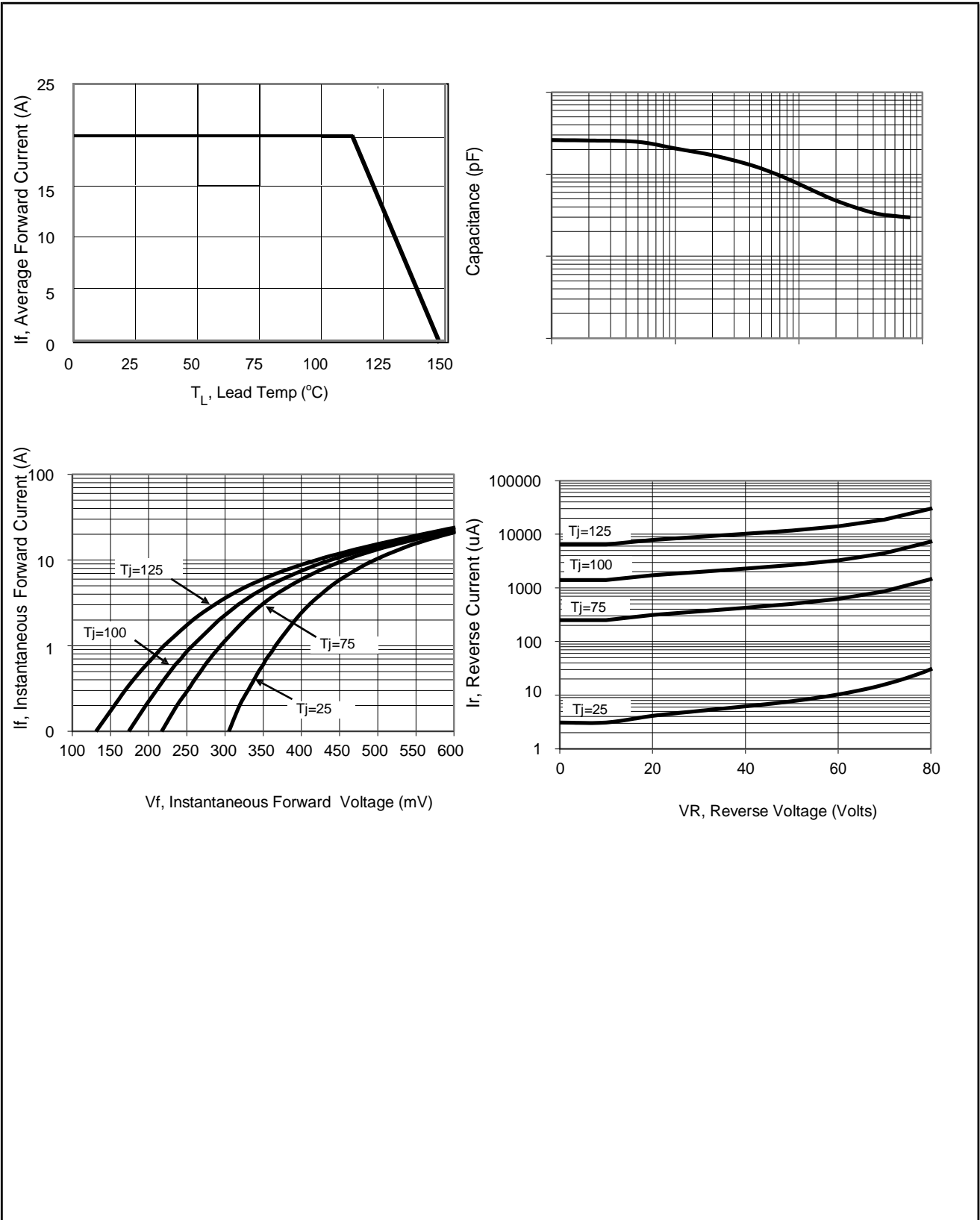
- Advanced trench technology
- Low forward voltage drop
- Low power losses
- High efficiency operation
- Lead Free Finish, RoHS Compliant

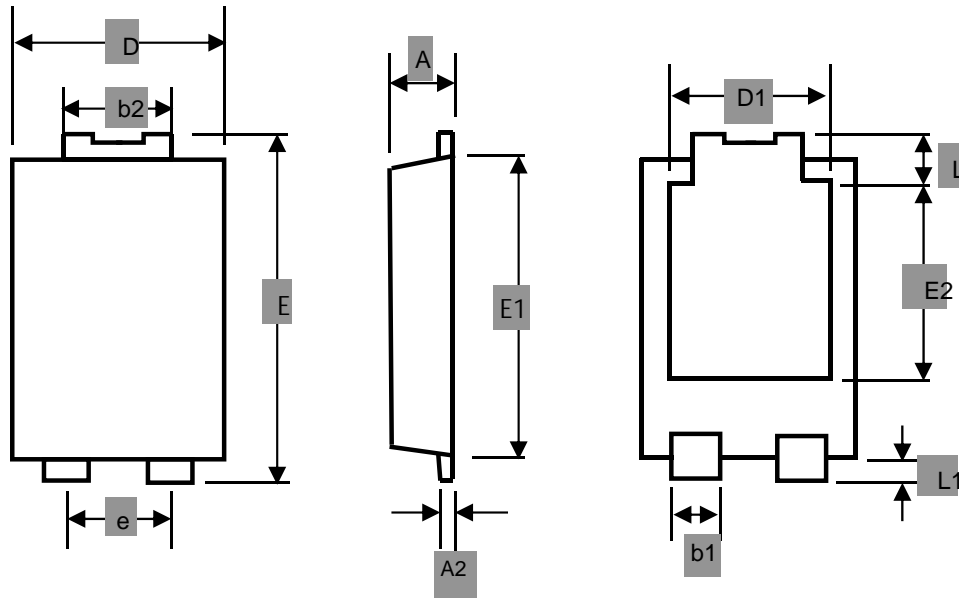
- DC/DC Converters
- AC/DC Adaptors
- Switching Power Supplies
- Freewheeling Diodes

Parameter	Symbol	Limit	Unit
Maximum repetitive peak reverse voltage	VRRM	80	V
Maximum average forward rectified current	IF(AV)	2	A
Peak forward surge current 8.3 ms single half sine- wave superimposed on rated load per diode	IFSM	2 0	A
Operating junction and storage temperature range	TJ, TSTG	-5 to +150	°C
7\SLFDO WKHUPDO UHVLVWDQFH SHU GLSHGHORXQWHG RQ)5 3&AV			
Instantaneous forward voltage per diode	VF(1)	TYP.	0 \$;
		IF=2A TJ=25°C	43
		IF=2A TJ=125°C	63
		IF=2 A 7 - f &	58
		IF=2 A TJ=125°C	53
Instantaneous reverse current per diode at rated reverse voltage	IR(2)	TJ=25°C	15 uA
		TJ=125°C	3 mA

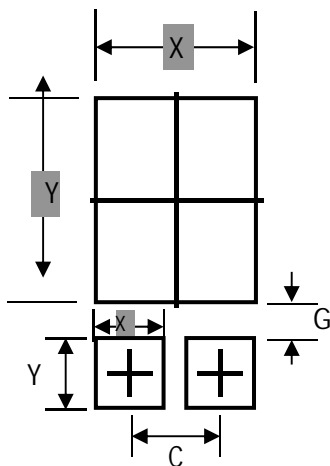
Notes:

3XOVH WHV V\$XOVH ZLGWK GXW\ F\FOH
 3XOVH WHVW 3XOPWH ZLGWK 0





UNIT		A	A2	b1	b2	D	D1	E	E1	E2	L	L1
mm	max	1.3	0.4	1.0	1.9	4.3	3.05	6.6	5.75	3.55	1.0	0.7
	min	1.1	0.2	0.8	1.7	3.9		6.4	5.3		0.8	0.5
mil	max	51.18	15.75	39.37	74.80	169.3	120.0	259.8	226.3	139.7	39.37	27.55
	min	43.30	7.87	31.49	66.93	153.5		252.0	208.6		31.49	19.69

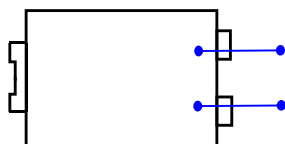
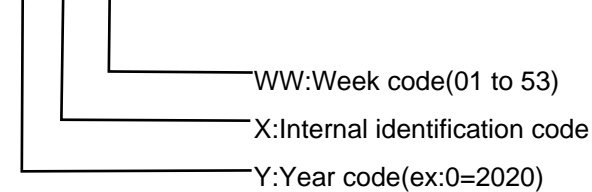


UNIT		C	G	X	X1		
mm	min	1.80	0.90	3.4	1.4		
mil	min	78.86	35.43	133.86	35.43		

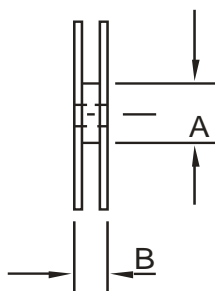
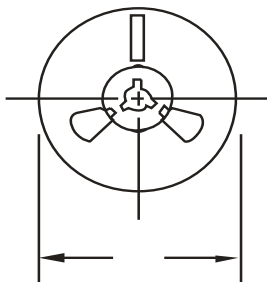
Product model :TSP20V80SP Referred to as 20V80

PDC information

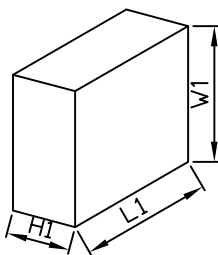
Y X WW



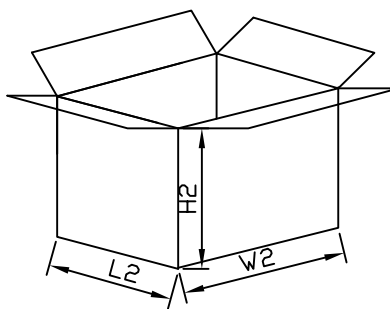
1.Reel Dimensions



2.Inside Box



3.Outside Box



NO	UNIT	Reel Dimensions			Inside Box			Outside Box		
			A	B	L1	W1	H1	L2	W2	H2
Size	mm	330	70	15	335	335	43	360	360	360
QTY	PCS	Smallest package,5000PCS/reel			10,000PCS,2 reel in total			80,000PCS/carton,8 boxes in total		
Note	Tolerance 20mm,±3mm; 21-100mm,±5mm; 101-500mm,±10mm									