



763 6 %

7UHQFK 026 %DUULHU 6FKRWWN\ 5H

763 6 %

60%



&DWKRGH ← \$QRGH

)HDWXUHV

‡ \$GYDQWUHQFK WHFKQRORJ\
 ‡ /RZRUZVROWDJH GURS
 ‡ /RZRZURVVHV
 ‡ +LJHILFLHQF\ RSHUDWLRQ
 ‡ /HDGHLQLVK &RPSOLDQW

\$SSOLFDFWLRQV

‡ '& '& &RQYHUWHUV
 ‡ \$\$ '&\$GDSWRUV
 ‡ 6ZLWFKRZHS SOLHV
 ‡)UHHZKHHLRGLJ

0D[LPXP UDWLQJV DQG HOHFWULFDJ& FXODDWHVHUQRWHIGV

3DUDPHWHU		6\PERO	/LPLW	8QLW
0D[LPXPHSHVSHUNYHYURQWDJH		9550		9
0D[LPXPYHURJHZDUG UFXEWHIQWG		,) \$9		\$
3HDN IRVZDUEBUUHQW VLKDDHQZDYH VXSHULP&DCHCRS&GGLRGH		,) 60	0	\$
2SHUDMXQDQCRQWRUDJH WDESSHUDW		X0H767*	WR	f&
7\SLFDO WKHUPDO UHVLVWDQFH SHU		G15&G1	ORXQWHG RQ)5	3&f% :
,QVWDQWDQHRROWRUJZDUG SHGLRGH	,) \$	7- f&	7<3	0\$;
	,) \$	7- f&		
	,) \$	7- f&		9
	,) \$	7- f&		
,QVWDQWDQHRXUUSHOMRQWH UDWHYHYURQWDJH		7- f&		X\$
		7- f&		P\$

1RWHV

3XOVH WHVVSXOVH ZLGWK GXW\ F\FOH

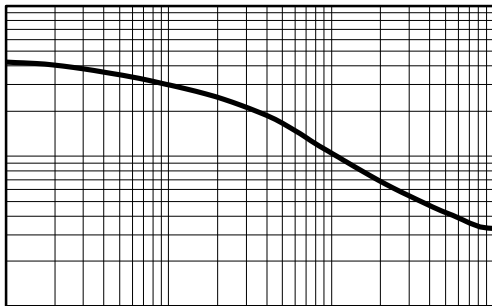
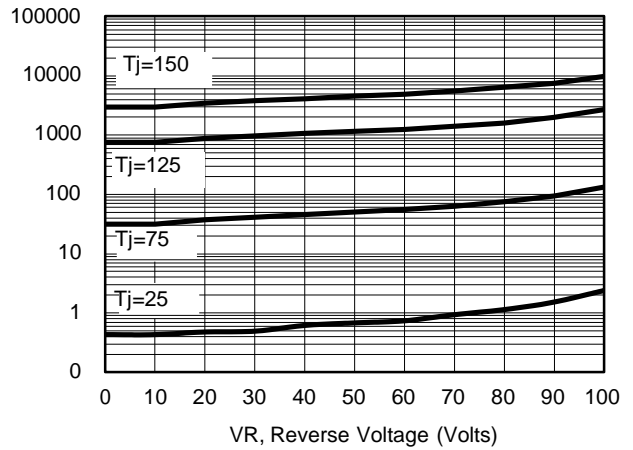
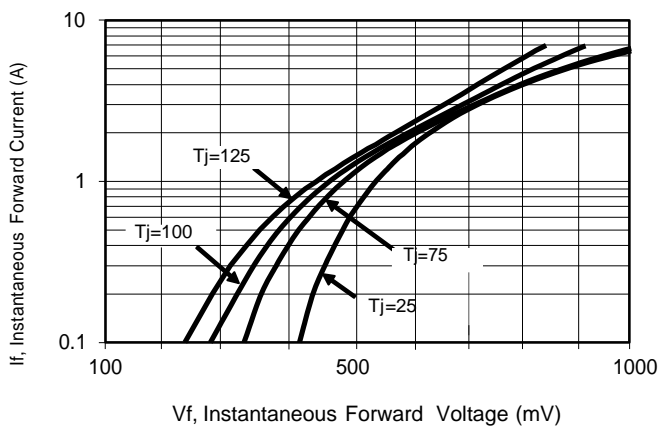
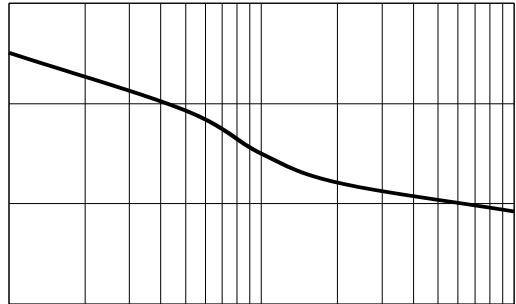
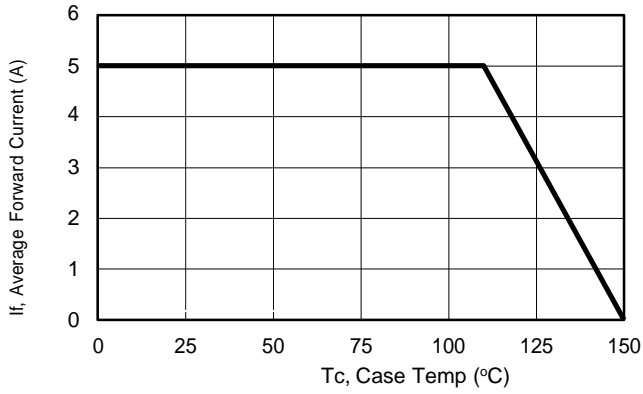
3XOVH WHVW 3XOPH ZLGWK 0



7636 %

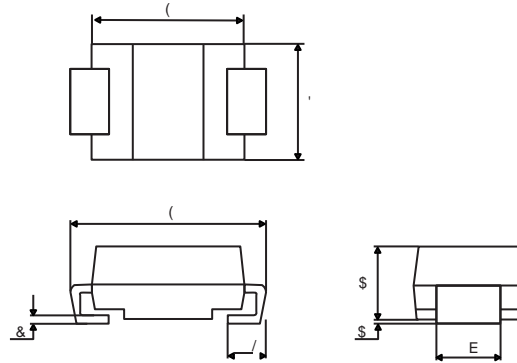
129

5\$7,1*6 \$1' &+\$5\$&7(5,67,&6 &7859(6f & XQOHVQRWKB UZLYH



3 \$ & . \$ * (287 / , 1 (' , 0 (16 , 2 1 6

60% GLPHQVLRQ GHILQLWLRQV



60% GLPHQVLRQ YDOXH V

5HI	'LPHQVLRQV			
	0LOOLPHWHUV		,QFKHV	
	0LQ	0D[0LQ	0D[
\$				
\$				
E				
F				
'				
(
(
/				