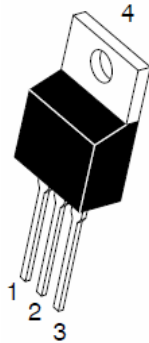


7 UHQFK 026 %DUULHU 6FKRWWN\ 5H

TO-220AB
TSR /1 OCT



ITO-220AB
TSR /1 OCTF

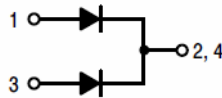


Features

- ‡ \$GYDQWUHQFK WHFKQRORJ\
- ‡ /RZRZDWRGWDJH GURS
- ‡ /RZRZDWRVHV
- ‡ +LJKILFLHQF\ RSHUDWLRO
- ‡ /HDGH)HLQLVK &R#6OLDQW

Applications

- ‡ '&' & RQYHUWHUV
- ‡ \$&' & \$GDSWRUV
- ‡ 6ZLWFKRZDIXSSOLHV
- ‡)UHHZKH'HLRQJ



Maximum ratings and electrical characteristics (T_J = 25°C unless otherwise noted)

3DUDPHWHU		6\PERO	/LPLW	8QLW
0D[LXPXPHSHVSHUNYHYURQHW DJH		9550		9
0D[LXPYHURJHZDUG UFXEWHIHWG		,) \$9	SHGLRGH	\$
GHYLFH				
3HDN IRVZDUEBUHQW VLQDQH ZDYH		,)60	WR	\$
VXSHULPSRVHGRFSGUDRVHG				
2SHUDMXQDQLRQWRUDJH WHPSHUDW		XUH 0DQJH	WR	f &
7\SLFVCHUPDO USHVULVQHDQFH		72 \$%	5\$-&	f & :
		,72 \$%		f & :
,QVWDQWDQHRXUWRUJZDUG SHGLRGH	,) \$	7-	f &	9
	,) \$	7-	f &	
	,) \$	7-	f &	
	,) \$	7-	f &	
,QVWDQWDQHRXUWRUJZDUG UDWHYHYURQHW DJH	7-	f &	,5	X\$
	7-	f &		P\$

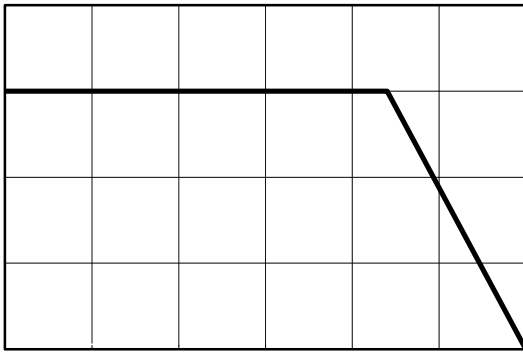
1RWHV

3XOVH WHVVSXOVH ZLGWK GXW\F\FOH

3XOVH WHVW 3XOPVH ZLGWK 0

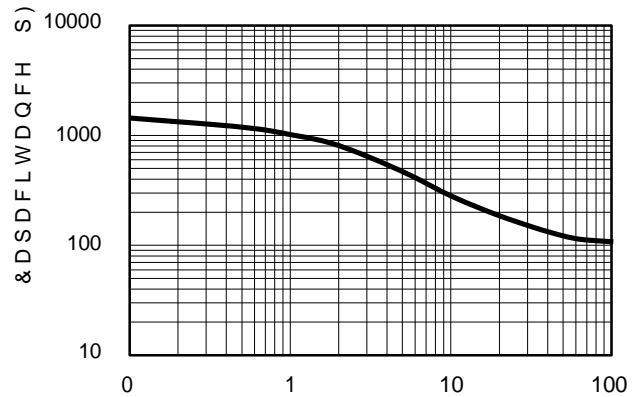
RATINGS AND CHARACTERISTICS CURVES

f & X Q O H V Q R W K B U Z L V H



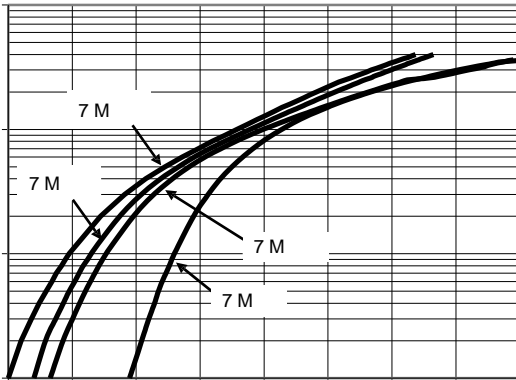
7 F & DVH 7 & HPS

Figure1: Current Derating, Case



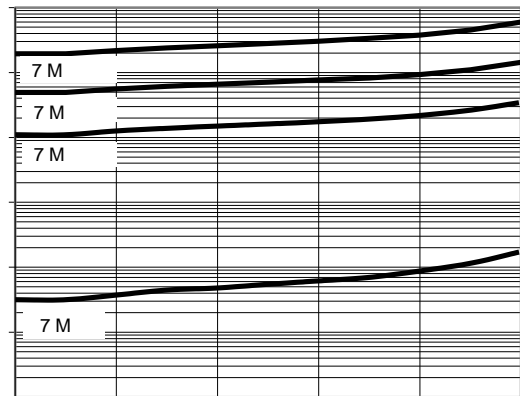
5 H Y H U V H 9 R O W D J H

Figure2: Typical Junction Capacitance



9 I , Q V W D Q W D Q H R X V) R U Z D U G 9 R O W D J H P 9

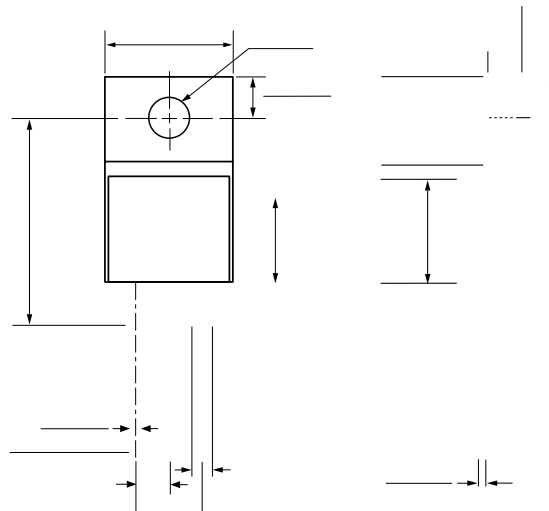
d Ç % o & } œ Á œ s } o š P



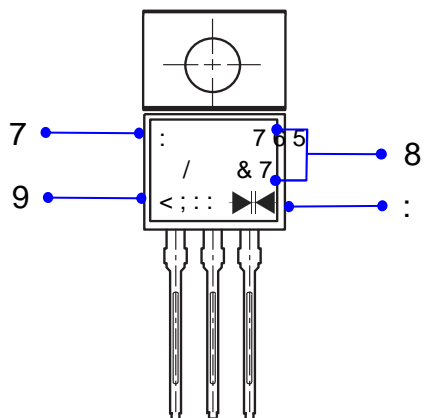
9 5 5 H Y H U V H 9 R O W D J H 9 R O W V

d Ç % o Z μ œ œ • v š

PACKAGE OUTLINE DIMENSIONS



0DUNLQJ ,QIRUPDWLRQ



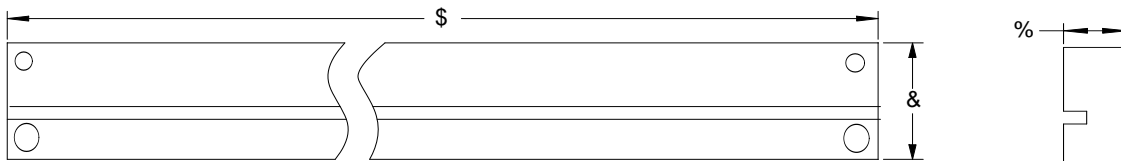
7 : &RPSDQ\ V WUDGHPDUN
 8 3URGXFW 765 / &7))
 9 3' & LQIRUPDWLRQ



: >> 'RXEOH ZDIHU

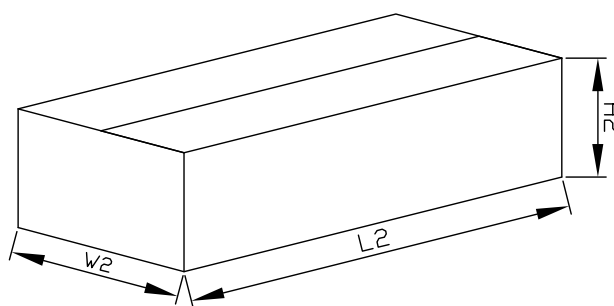
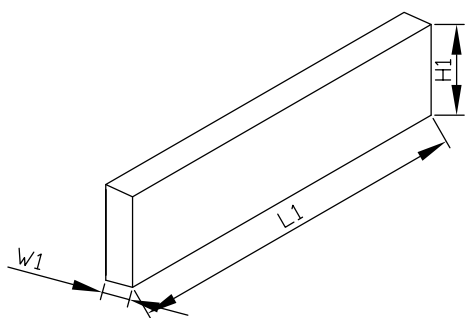
3DFNDJLQJ ,QIRUPDWLRQ

7XEH 'LPHQVLRQV



,QVLGH %R[

2XWVLGH %R[



3DFNDJLQJ ,QIRUPDWLRQ

12	81,	7XEH 'LPHQVLRQ			,QVLGH %R[2XWVLGH %R[
6LH	PP	\$	%	&	/	:	+	/	:	+
47<	3&6	3&6 7XEH			6PDO SHVWDJH3&6 WXEORWDO			3&6 FDUERGLWRWDO		
1RWH	7ROHUDQFH PP" PP PP" PP PP" PP									